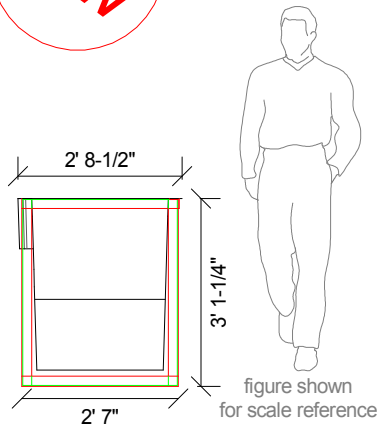
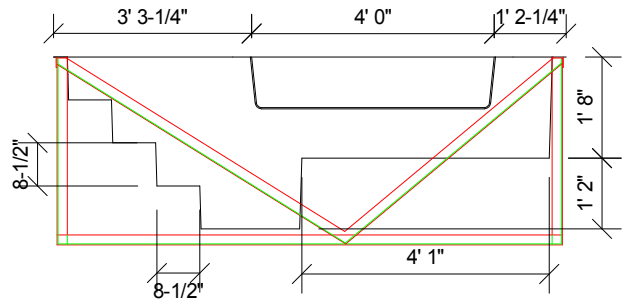


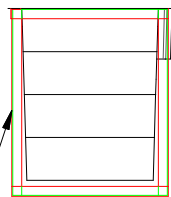
New



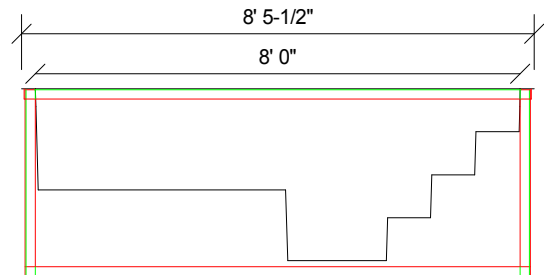
Non-Step Side View



Front View



Step Side View
2"x2"x1/8" Steel Angle



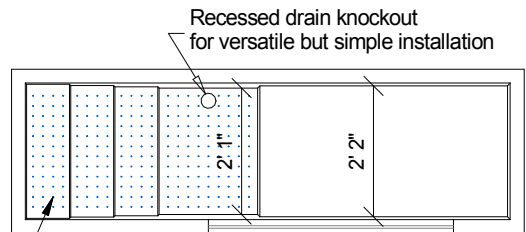
Rear View
2"x2"x1/8" Steel Angle

Baptistry Data
 Overall Width = 2'-8 1/2"
 Overall Length = 8'-5 1/2"
 Overall Height = 3'-1 1/4"
 Overall Depth = 2'-10" +/-
 Unit Weight = 250 lbs.
 Water Capacity = 210 Gallons
 Recommended Heater: PBH Mini

Available Colors

- Blue
- White
- Aqua
- Cream

Note: Color samples available at customers request



Top View
Slip Resistant Surface on Steps and Bottom of Tank

Note: All drawings are the property of Piedmont Fiberglass Inc. Dimensions and designs may be altered slightly to accommodate manufacturing.



P.O. Box 6513
 High Point, NC 27262
 Phone: 800-736-3113
 www.ChurchOutlet.com

DRY-MINISTER

Model :

10-LE

Scale:

Drawn by:

TJD/JEM

Created On

9/1/09

Updated On

10/5/09