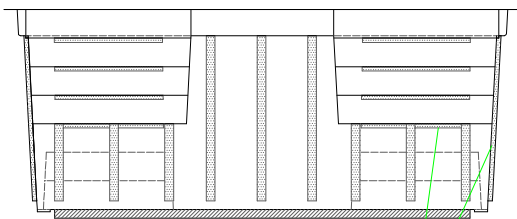


Slip resistant Surface on Steps and Bottom of Tank

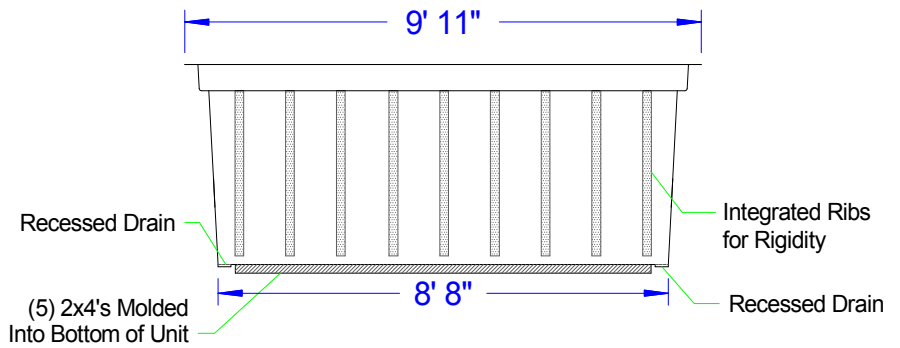
Top View

Two recessed drain knockouts for versatile but simple installation



Back View

Tubular Bracing on Sides of Tank and Bottom of Steps

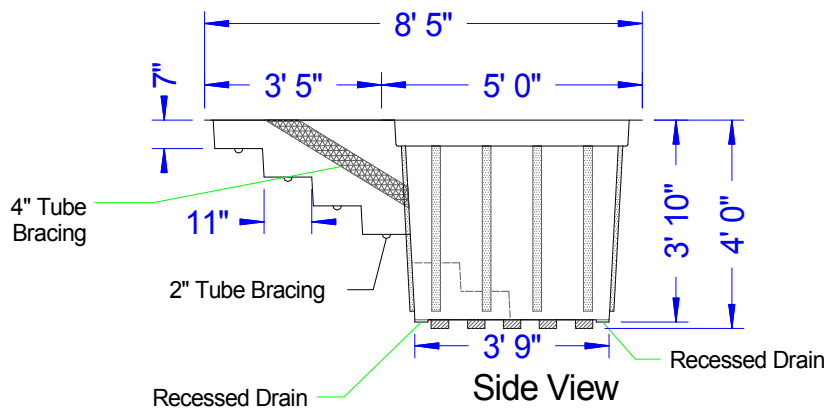


Front View

Baptistry Data
 Overall Width = 8'-4 13/16"
 Overall Length = 9'-10 7/8"
 Overall Height = 4'-0"
 Overall Depth = 3'-10"
 Unit Weight = 400 lbs.
 Water Capacity = 1320 Gallons
 Recommended Heater: PBH 10K E-Z Fill
 PBH 10K

Available Colors
 Blue
 White
 Aqua
 Cream

Note: Color samples available at customers request



Side View

Note: All drawings are the property of Piedmont Fiberglass Inc. Dimensions and designs may be altered slightly to accommodate manufacturing.



PO Box 6513
 High Point, NC 27262
 800-736-3113
 www.churchoutlet.com

BAPTISTRY

Model :

1-AC

Scale:

Drawn by:
 TJD/JEM
 Created On
 7/1/08
 Updated On
 8/14/08