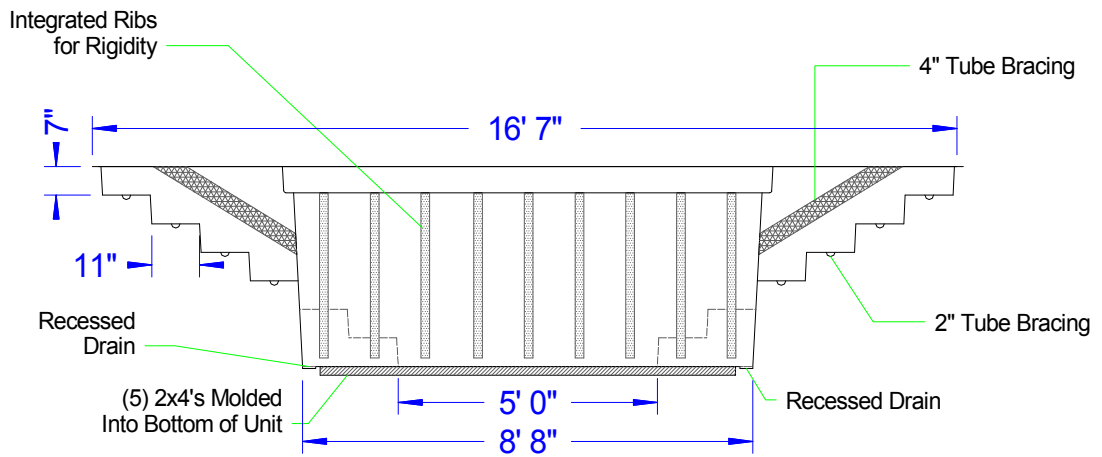


Top View

Slip Resistant Surface on Steps and Bottom of tank

Two recessed drain knockouts for versatile but simple installation



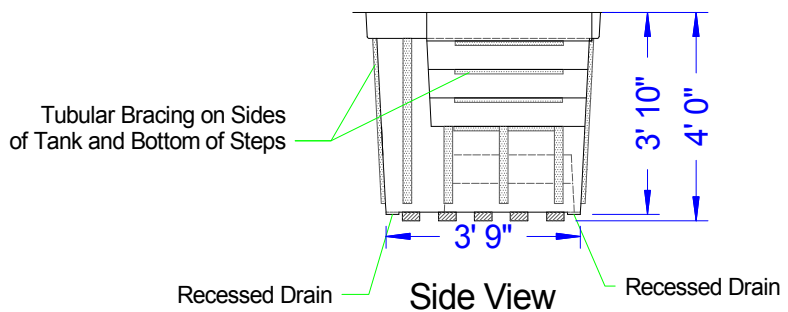
Front View

**Baptistry Data**  
 Overall Width = 5'-0"  
 Overall Length = 16'-8 7/16"  
 Overall Height = 4'-0"  
 Overall Depth = 3'-10"  
 Unit Weight = 400 lbs.  
 Water Capacity = 1320 Gallons  
 Recommended Heater: PBH 10K E-Z Fill  
 PBH 10K

**Available Colors**

- Blue
- White
- Aqua
- Cream

Note: Color samples available at customers request



Side View

Note: All drawings are the property of Piedmont Fiberglass Inc. Dimensions and designs may be altered slightly to accommodate manufacturing.



PO Box 6513  
 High Point, NC 27262  
 800-736-3113  
 www.churchoutlet.com

**BAPTISTERY**

Model :

**1-LD**

Scale:

Drawn by:  
 TJD/JEM  
 Created On  
 7/1/08  
 Updated On  
 8/15/08