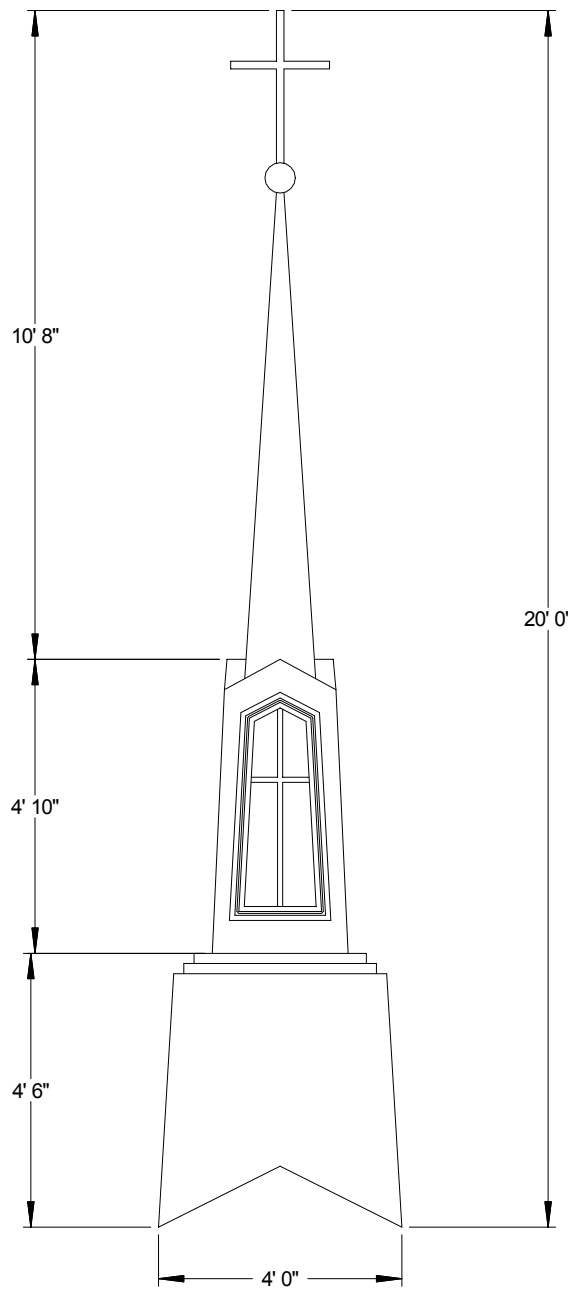
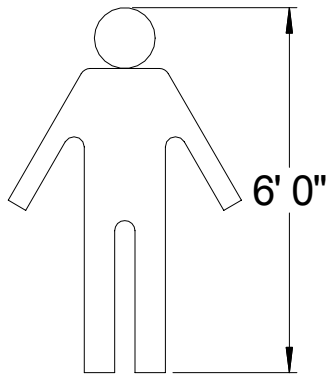
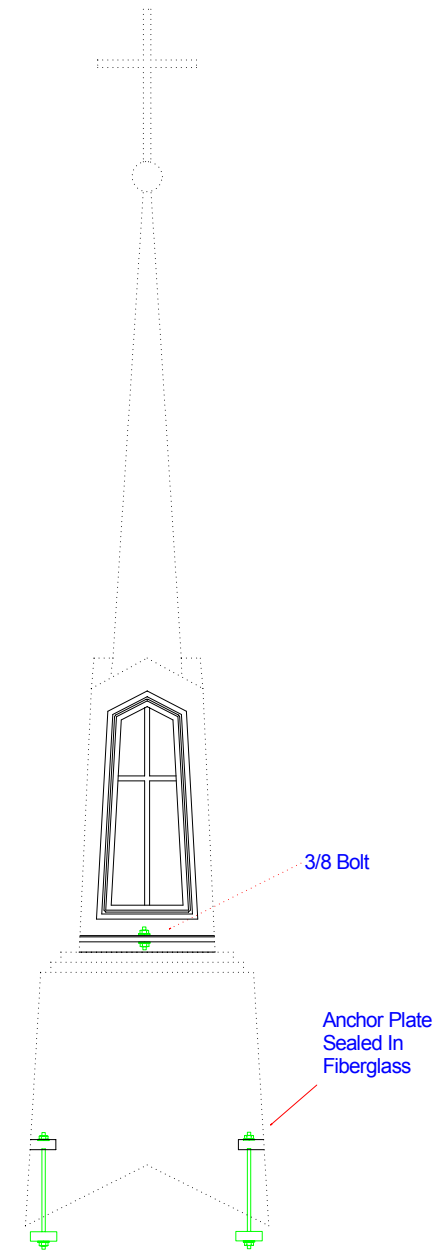


Optional Louver

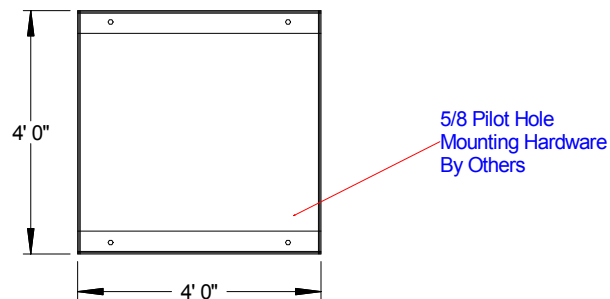


ELEVATION



SKELETON

MOUNTING DETAIL



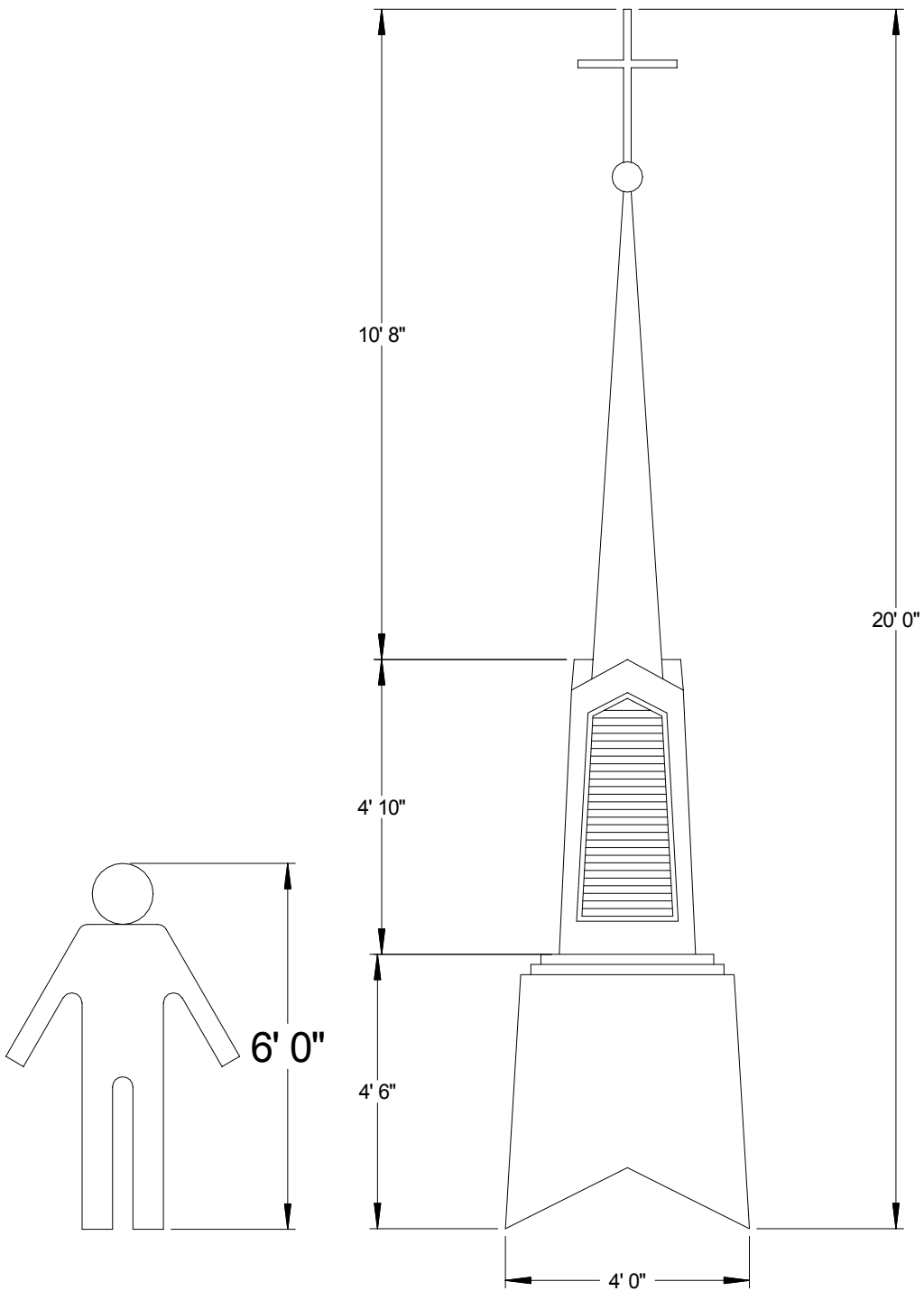
Note: All Drawings are the property of PFI  
Dimensions and designs may be altered  
to accomodate manufacturing.

PO Box 6513 - High Point, NC 27262  
800-736-3113  
www.churchoutlet.com

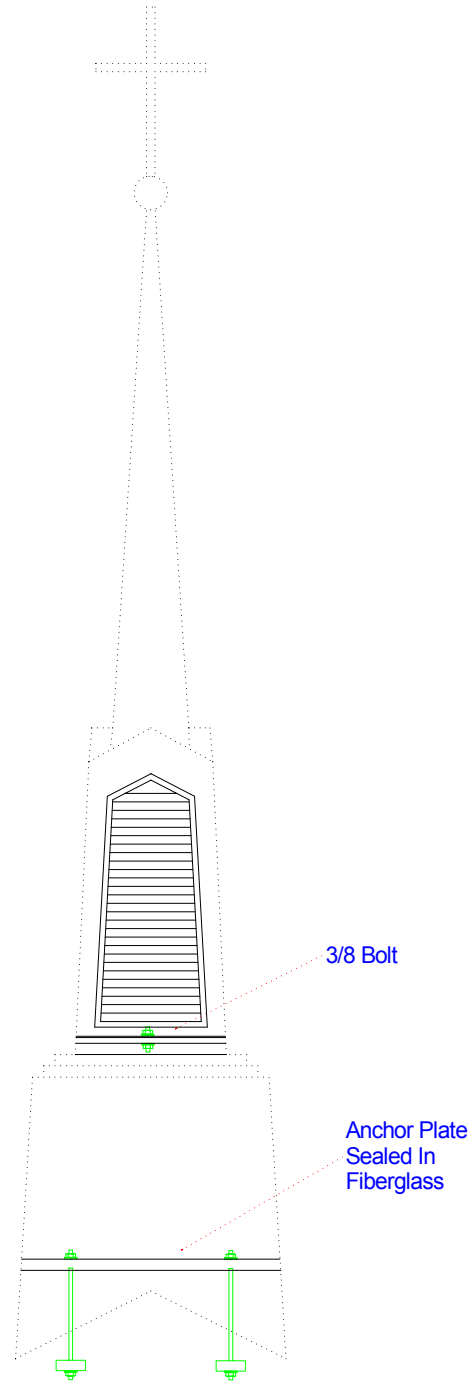
Model : **9 - 4**

Drawn by:  
DLC

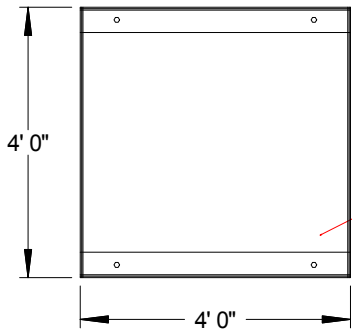
Date:  
9/25/1999



ELEVATION



SKELETON



MOUNTING DETAIL



Note: All Drawings are the property of PFI  
 Dimensions and designs may be altered  
 to accomodate manufacturing.  
 PO Box 6513 - High Point, NC 27262  
 800-736-3113  
 www.churchoutlet.com

Model :	<b>9 - 4 L</b>	Drawn by:	TJD	Date:	6/3/2000
---------	----------------	-----------	-----	-------	----------